

# INSTALLATION INSTRUCTIONS

## MODULAR HDX GRILLE GUARD



### APPLICATION:

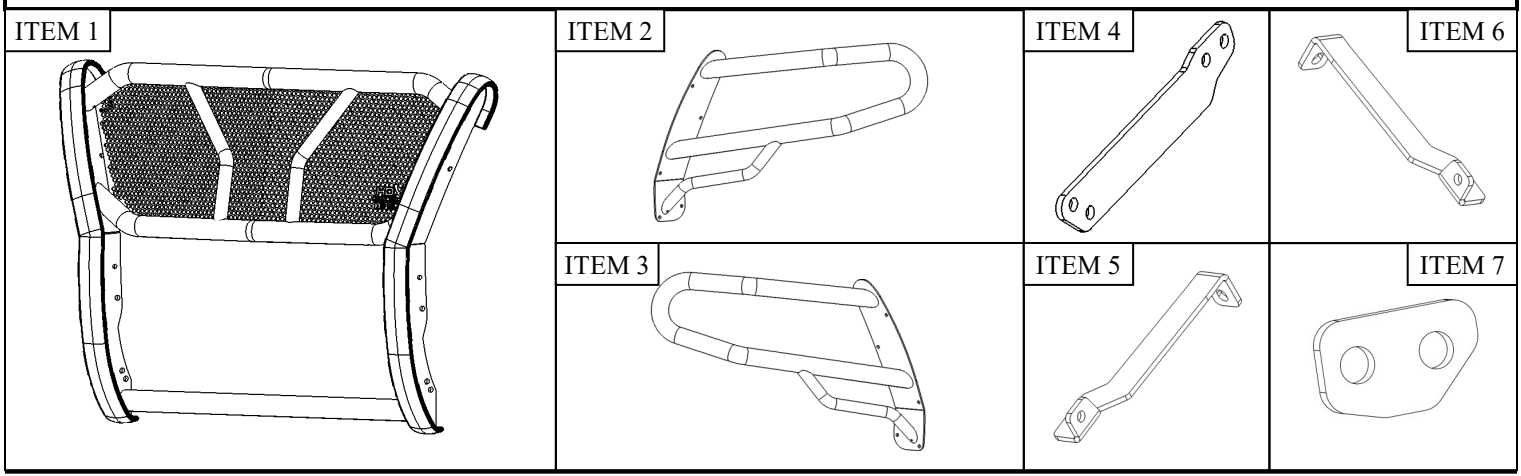
2015-2022 Chevrolet Colorado (Excl. Bison & ZR2)

### PART NUMBER:

57-23845

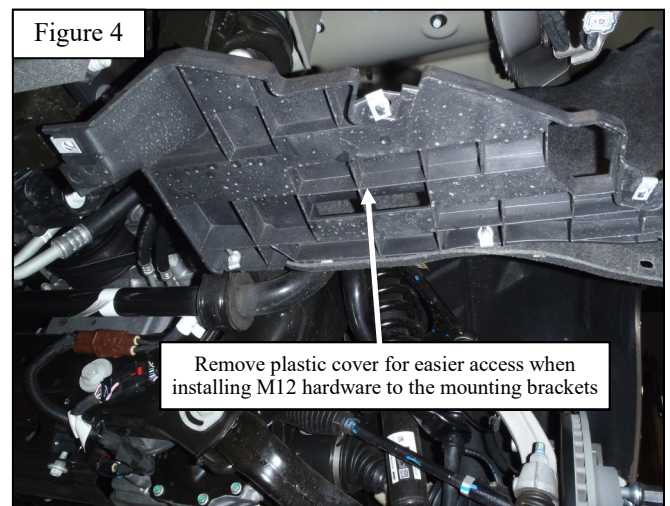
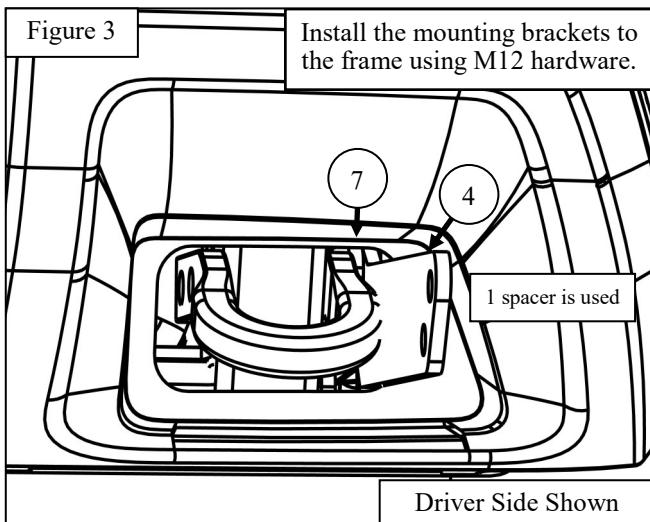
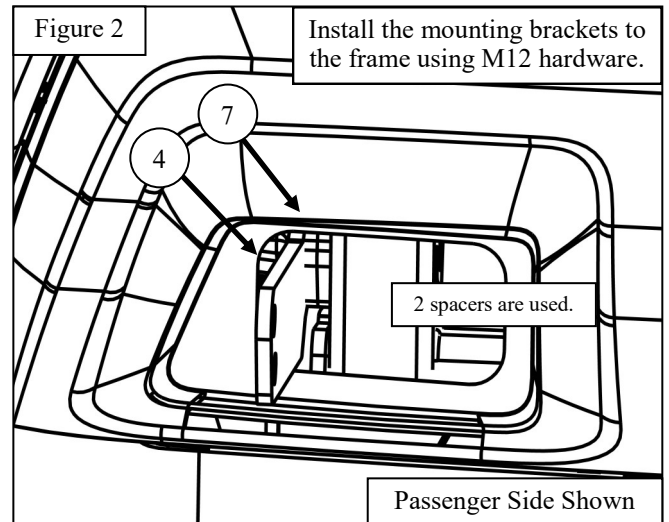
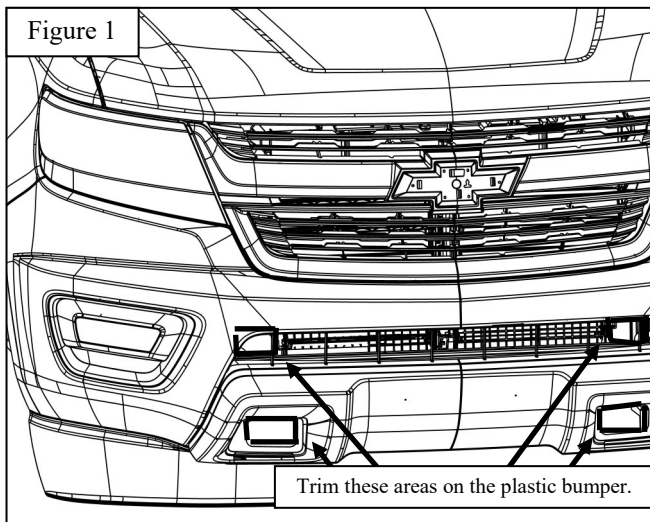
CONTENT			
ITEM	QUANTITY	DESCRIPTION	TOOLS NEEDED
1	1	HDX GRILLE GUARD BASE	13MM SOCKET
2	1	HDX DRIVER WING	14MM SOCKET
3	1	HDX PASSENGER WING	15MM SOCKET
4	2	LOWER MOUNTING BRACKET	18MM SOCKET
5	1	DRIVER SIDE UPPER SUPPORT BRACKET	RATCHET
6	1	PASSENGER SIDE UPPER SUPPORT BRACKET	TORQUE WRENCH
7	4	TWO HOLE SPACER	ALLEN WRENCH
8	4	M12 HEX HEAD BOLT	SOCKET EXTENS.
9	4	M12 HEX NUT	UTILITY KNIFE
10	4	M12 FLAT WASHER 32MM OD	FLAT HEAD SCREWDRIVER
11	4	M12 FLAT WASHER 24MM OD	
12	4	M12 SPLIT LOCK WASHER	
13	6	M10 HEX BUTTON HEAD BOLT ( <i>BLACK ZINC</i> )	
14	6	M10 BELLVILLE WASHER ( <i>BLACK ZINC</i> )	
15	6	M10 SERRATED FLANGE NUT ( <i>BLACK ZINC</i> )	
16	2	M10 SERRATED FLANGE NUT ( <i>YELLOW ZINC</i> )	
17	10	M8 HEX SOCKET BUTTON HEAD BOLT	
18	10	M8 BELLVILLE WASHER	
19	10	M8 SERRATED FLANGE HEX NUT	

**ANTI-SEIZE LUBRICANT MUST BE USED ON ALL STAINLESS STEEL FASTENERS TO PREVENT THREAD DAMAGE AND GALLING .**

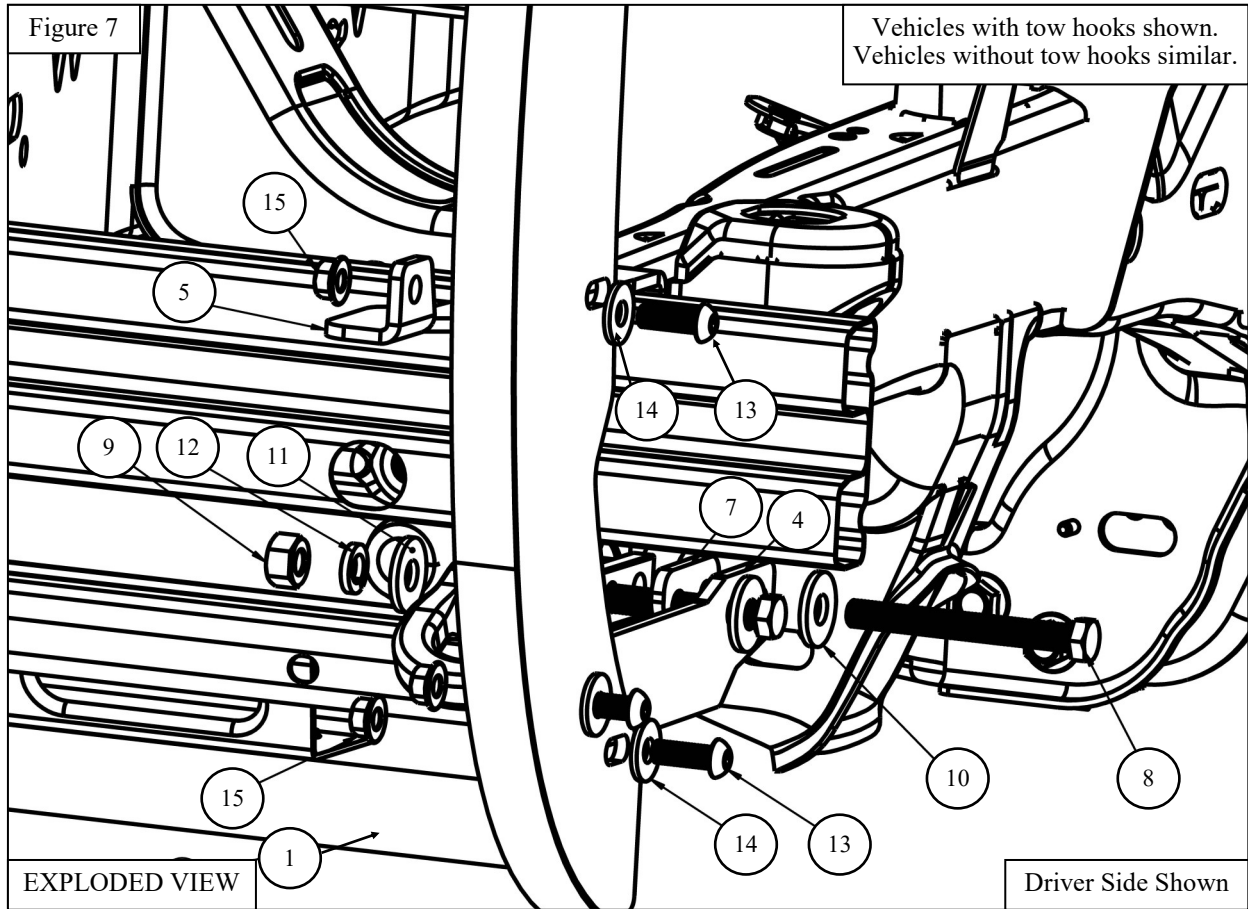
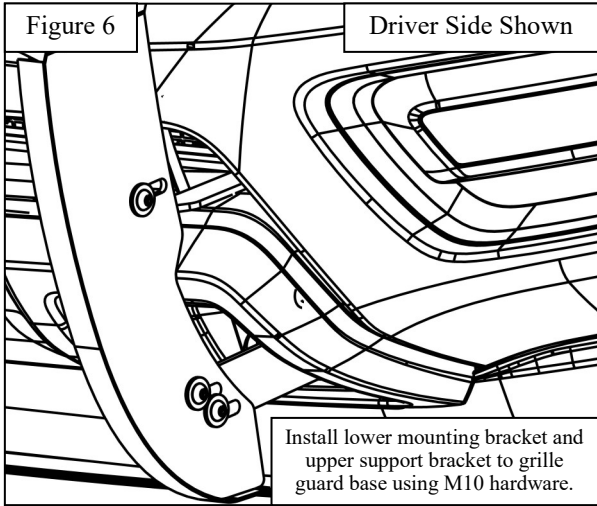
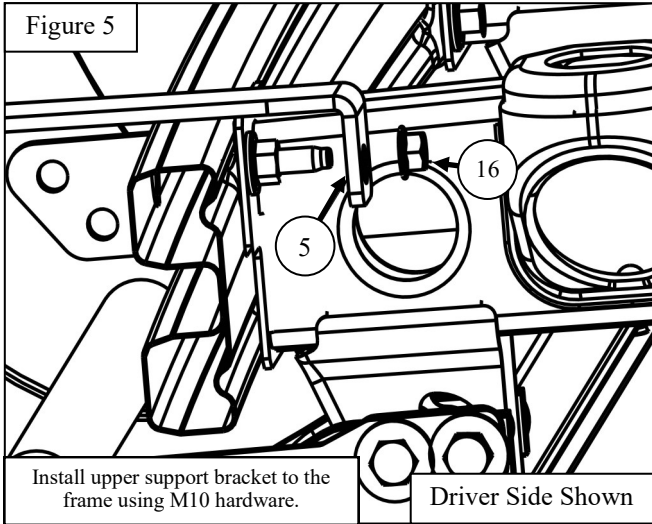


## PROCEDURE

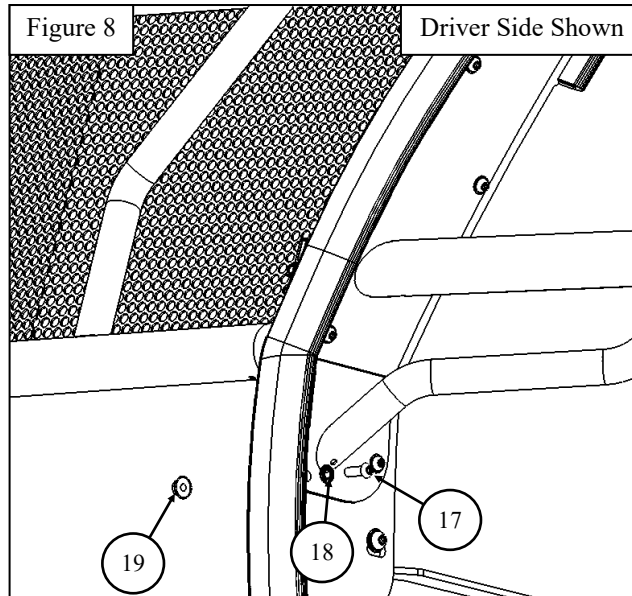
1. Remove contents from box, verify if all parts listed are present and free from damage. Carefully read and understand all instructions before attempting installation.  
**Failure to identify damage before installation could lead to a rejection of any claim.**
2. **For vehicles without factory tow hooks:** Trim the plastic in the areas shown in **Figure 1**. Repeat for both the driver and passenger side. **Note:** *Vehicles without tow hooks use 2 spacers on each side.*
3. **For vehicles without factory tow hooks:** Loosely install the Lower Mounting Bracket using the supplied M12 hardware as shown in **Figure 2**. Repeat for the passenger side. **Note:** *For easier access remove the OEM plastic covers. See **Figure 4** for reference.*
4. **For vehicles with factory tow hooks:** Remove the factory hardware. Loosely install one spacer between the tow hook and the mounting bracket with the supplied M12 hardware. Repeat for driver's side. See **Figure 3** for reference.



5. Trim the plastic behind the grille opening as previously shown in **Figure 1**. Loosely install the upper support brackets using the supplied M10 hardware. When fastening the upper support bracket to A-frame, set the bracket flush with the back of the factory welded nut. See **Figure 5** for reference. *Note: Do not remove factory welded nut.*
6. With assistance, loosely install the HDX Grille Guard Base up to the previously installed brackets using the supplied M10 hardware. See **Figures 6 & 7** for reference.



7. Locate and mount the HDX Driver and Passenger Wings (Items 2 & 3) to the HDX Grille Guard Base using the supplied M8 hardware (Items 17-19). See **Figure 8** for reference.
8. Align and adjust the HDX Grille Guard Base, HDX Wings, and mounting brackets as necessary. Tighten and torque all hardware as specified: M8 to 15-18 ft-lbs., M10 to 25-30 ft-lbs., and M12 to 50-55 ft-lbs.



**INSTALLATION COMPLETE**



**CARE INSTRUCTIONS**

- REGULAR WAXING IS RECOMMENDED. DO NOT USE ANY TYPE OF POLISH OR WAX THAT MAY CONTAIN ABRASIVES.
- STAINLESS STEEL PRODUCTS CAN BE CLEANED WITH MILD SOAP AND WATER. STAINLESS STEEL POLISH SHOULD BE USED TO POLISH SMALL SCRATCHES.
- GLOSS BLACK FINISHES SHOULD BE CLEANED WITH MILD SOAP AND WATER.



## WARNING



Failure to follow these instructions could lead to death, personal injury, and / or property damage.

Failure to follow these instructions could lead to death, personal injury, and / or property damage.

### FASTENERS:

All Westin supplied fasteners must be utilized and installed in accordance with the installation instructions and apply torque to the specifications as defined. **DOUBLE CHECK ALL FASTENERS BEFORE INITIAL USE, AND PERIODICALLY IN THE FUTURE TO ENSURE PROPER FUNCTION AND SAFETY.**

### DRILLING:

Most Westin products do not require drilling for installation. If drilling is defined as required, use caution when drilling a vehicle. **FAILURE TO REVIEW AN AREA TO BE DRILLED MAY RESULT IN PERSONAL INJURY AND/OR INJURY TO OTHERS AS WELL AS VEHICLE DAMAGE.**

### EYE PROTECTION:

**ALWAYS WEAR SAFETY GLASSES OR GOGGLES DURING THE INSTALLATION PROCESS TO AVOID PERSONAL INJURY.**

### MAXIMUM TOWING/CARRYING CAPACITY: (if applicable)

The Westin Receiver Hitches will have a visible tow rating label affixed directly on the product. User should never exceed the vehicle manufacturers maximum tow and weight rating regardless of the capacity of the hitch. **FAILURE TO FOLLOW THESE GUIDELINES WILL VOID THE WESTIN WARRANTY AND MAY RESULT IN PERSONAL INJURY AND/OR INJURY TO OTHERS AS WELL AS VEHICLE DAMAGE.**

### FOR CALIFORNIA RESIDENTS ONLY-PROP 65 WARNING:

Some products may contain chemicals such as DEHP, which can cause cancer, birth defects or other reproductive harm. For more info go to [www.p65warnings.ca.gov](http://www.p65warnings.ca.gov)